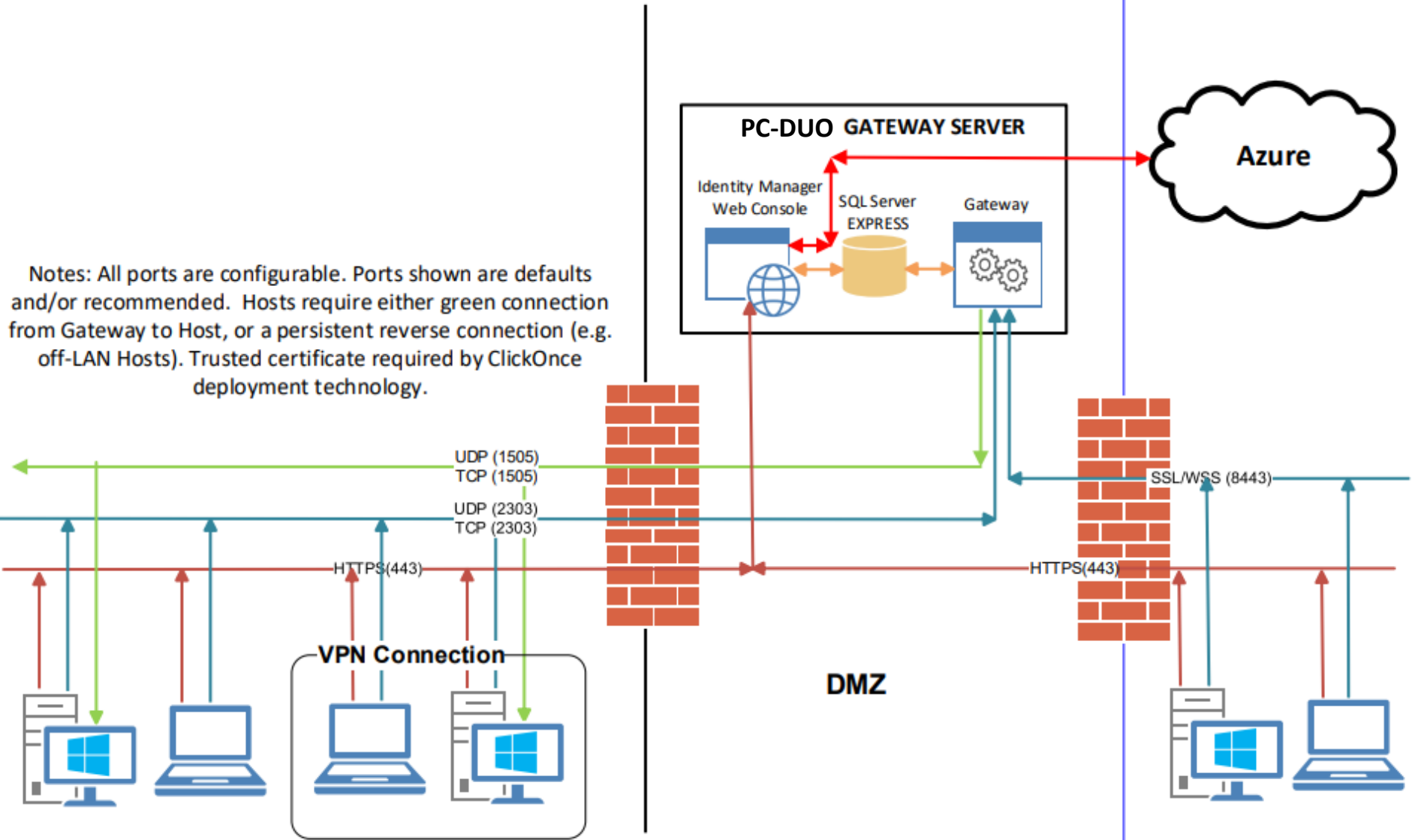


PC-DUO WEB CONSOLE EDITION

Internal and external access – Gateway Server in DMZ (Requires third party trusted certificate)



Notes: All ports are configurable. Ports shown are defaults and/or recommended. Hosts require either green connection from Gateway to Host, or a persistent reverse connection (e.g. off-LAN Hosts). Trusted certificate required by ClickOnce deployment technology.

Client access to Gateway Server:
 PC-Duo Gateway Administrator
 PC-Duo Master/ClickOnce Master
 PC-Duo Host/Host on Demand
 Web Console

Client access to Identity Manager /Web Console:
 Microsoft IE/Edge
 Google Chrome
 Mozilla Firefox

Gateway Server access to Hosts:
 Gateway -> Host connection for status reporting & services (in lieu of persistent reverse connection)

Access to SQL Server:
 Gateway
 Identity Manager
 Web Console

Azure Access:
 Identity Manager